



DFE-HH Catalogue

Overhead Line Remote Fault Indicator

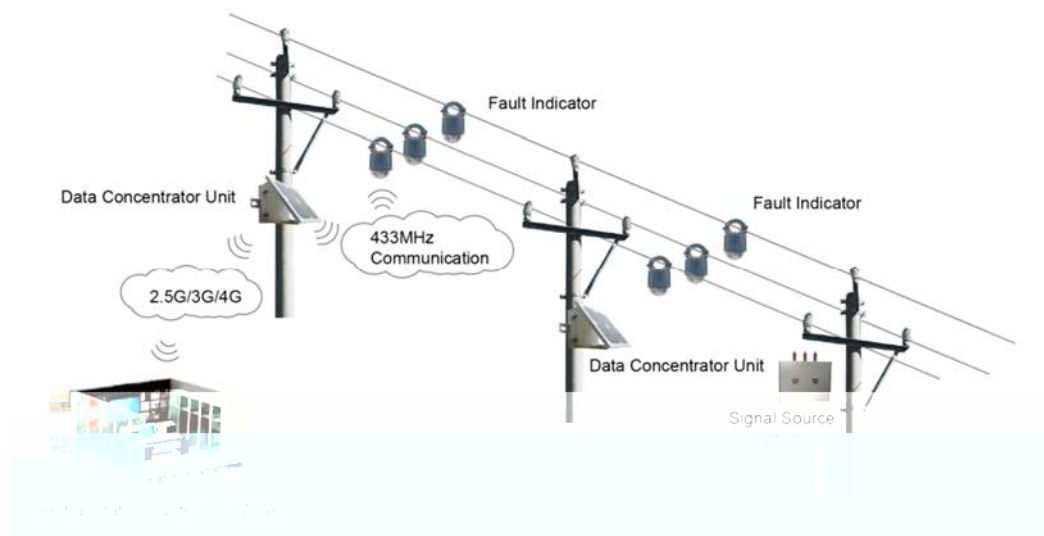


For Reliable, Secure and Economical Energy System Operation

Dongfang Electronics International Engineering Co., Ltd.

Dongfang Electronics Co., Ltd.

1. General Description



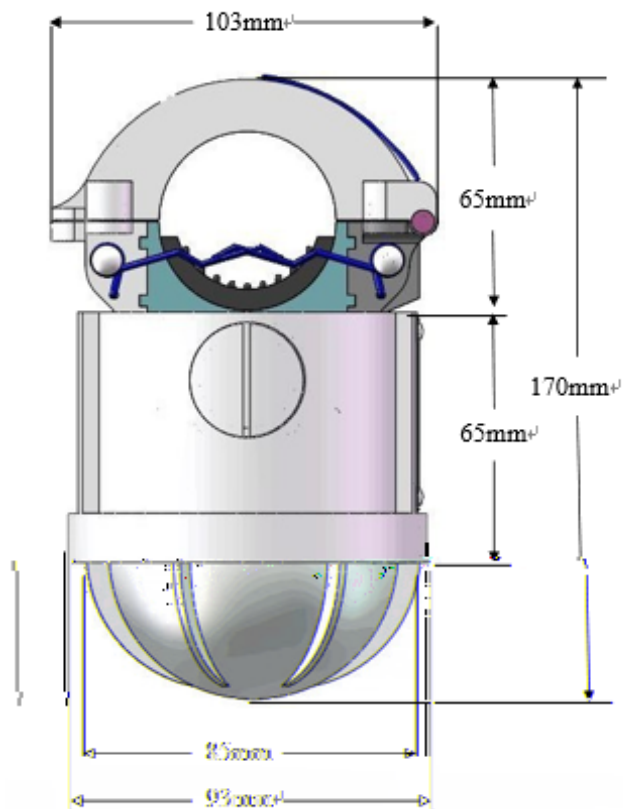
2. Features

3. Specifications

Subject	Value

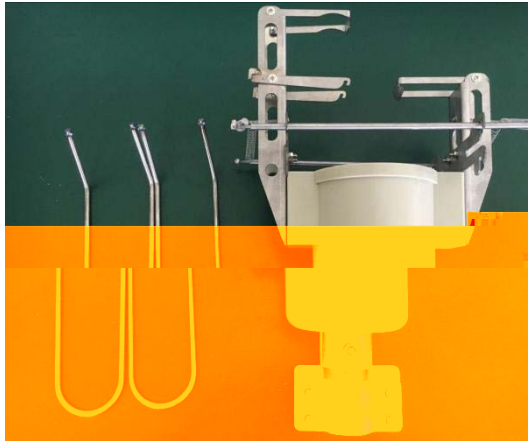
°C

4. Dimensions



5. Accessories

**Please refer to User's Manual to get the way the installation.*



indicator parameters, do some configuration or reset indicator on site.

**Please refer to FPI-HAND User's Manual.*



**Easy for maintenance crew to check fault*

6. Order Info

Item	Content

